

Figure 9.1 Flow graph of first-order complex recursive computation of $X[k]$.

requires 4 real multiplications and 4 real additions. All the intervening values $y_k[1]$, $y_k[2]$, ..., $y_k[N-1]$ must be computed in order to compute $y_k[N] = X[k]$, so the use of the system in Fig. 9.1 as a computational algorithm requires $4N$ real multiplications and $4N$ real additions to compute $X[k]$ for a particular value of k . Thus, this procedure is slightly less efficient than the direct method. However, the method of Fig. 9.1 avoids the computation or storage of the coefficients W_N^{kn} since these quantities are implicitly computed by the recursion implied by Fig. 9.1.

It is possible to retain this simplification while reducing the number of multiplications by a factor of 2. To see how this may be done, note that the system function of the system of Fig. 9.1 is

$$H_k(z) = \frac{1}{1 - W_N^{-k}z^{-1}}. \quad (9.8)$$

Multiplying both the numerator and the denominator of $H_k[z]$ by the factor $(1 - W_N^k z^{-1})$, we obtain

$$\begin{aligned} H_k(z) &= \frac{1 - W_N^k z^{-1}}{(1 - W_N^{-k} z^{-1})(1 - W_N^k z^{-1})} \\ &= \frac{1 - W_N^k z^{-1}}{1 - 2 \cos(2\pi k/N)z^{-1} + z^{-2}}. \end{aligned} \quad (9.9)$$

The signal flow graph of Fig. 9.2 corresponds to the system of Eq. (9.9).

If the input is complex, only two real multiplications per sample are required to implement the poles of this system, since the coefficients are real and the factor -1 need not be counted as a multiplication. As in the case of the first-order system, for complex input four real additions per sample are required to implement the poles (if the input is complex). Since we only need to bring the system to a state from which $y_k[N]$ can be computed, the complex multiplication by $-W_N^k$ required to implement the zero of the system function need not be performed at every iteration of the difference equation, but only after the N th iteration. Thus, the total computation is $2N$ real multiplications and $4N$ real additions for the poles plus 4 real multiplications and 4 real additions for the zero. The total computation is therefore $2(N+2)$ real

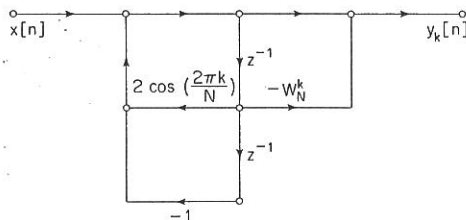


Figure 9.2 Flow graph of second-order recursive computation of $X[k]$ (Goertzel algorithm).

multiplications and $4(N+1)$ real additions, about half the number of real multiplications required with the direct method. In this more efficient scheme, we still have the advantage that $\cos(2\pi k/N)$ and W_N^k are the only coefficients that must be computed and stored. The coefficients W_N^{kn} are again computed implicitly in the iteration of the recursion formula implied by Fig. 9.2.

As an additional advantage of the use of this network, let us consider the computation of the z -transform of $x[n]$ at conjugate locations on the unit circle, that is, the computation of $X[k]$ and $X[N-k]$. It is straightforward to verify that the network in the form of Fig. 9.2 required to compute $X[N-k]$ has exactly the same poles as that in Fig. 9.2, but the coefficient for the zero is the complex conjugate of that in Fig. 9.2 (see Problem 9.2). Since the zero is implemented only on the final iteration, the $2N$ multiplications and $4N$ additions required for the poles can be used for the computation of two DFT values. Thus, for the computation of all N values of the discrete Fourier transform using the Goertzel algorithm, the number of real multiplications required is approximately N^2 and the number of real additions is approximately $2N^2$. While this is more efficient than the direct computation of the discrete Fourier transform, the amount of computation is still proportional to N^2 .

In either the direct method or the Goertzel method we do not need to evaluate $X[k]$ at all N values of k . Indeed, we can evaluate $X[k]$ for any M values of k , with each DFT value being computed by a recursive system of the form of Fig. 9.2 with appropriate coefficients. In this case the total computation is proportional to NM . The Goertzel method and the direct method are attractive when M is small; however, as indicated previously, algorithms are available for which the computation is proportional to $N \log_2 N$ when N is a power of 2. Therefore, when M is less than $\log_2 N$, either the Goertzel algorithm or the direct method may in fact be the most efficient method, but when all N values of $X[k]$ are required, the decimation-in-time algorithms, to be considered next, are roughly $(N/\log_2 N)$ times more efficient than either the direct method or the Goertzel method.

9.3 DECIMATION-IN-TIME FFT ALGORITHMS

When computing the DFT, dramatic efficiency results from decomposing the computation into successively smaller DFT computations. In this process we exploit both the symmetry and the periodicity of the complex exponential $W_N^{kn} = e^{-j(2\pi/N)kn}$. Algorithms in which the decomposition is based on decomposing the sequence $x[n]$ into successively smaller subsequences, are called *decimation-in-time algorithms*.

The principle of the decimation-in-time algorithm is most conveniently illustrated by considering the special case of N an integer power of 2, i.e., $N = 2^r$. Since N is an even integer, we can consider computing $X[k]$ by separating $x[n]$ into two $(N/2)$ -point† sequences consisting of the even-numbered points in $x[n]$ and the

† When discussing FFT algorithms, we use the words *sample* and *point* interchangeably to mean sequence value. Also, we refer to a sequence of length N as an N -point sequence, and the DFT of a sequence of length N will be called an N -point DFT.

odd-numbered points in $x[n]$. With $X[k]$ given by

$$X[k] = \sum_{n=0}^{N-1} x[n]W_N^{nk}, \quad k = 0, 1, \dots, N-1, \quad (9.10)$$

and separating $x[n]$ into its even- and odd-numbered points, we obtain

$$X[k] = \sum_{n \text{ even}} x[n]W_N^{nk} + \sum_{n \text{ odd}} x[n]W_N^{nk}, \quad (9.11)$$

or, with the substitution of variables $n = 2r$ for n even and $n = 2r + 1$ for n odd,

$$\begin{aligned} X[k] &= \sum_{r=0}^{(N/2)-1} x[2r]W_N^{2rk} + \sum_{r=0}^{(N/2)-1} x[2r+1]W_N^{(2r+1)k} \\ &= \sum_{r=0}^{(N/2)-1} x[2r](W_N^2)^{rk} + W_N^k \sum_{r=0}^{(N/2)-1} x[2r+1](W_N^2)^{rk}. \end{aligned} \quad (9.12)$$

But $W_N^2 = W_{N/2}$ since

$$W_N^2 = e^{-j2\pi/N} = e^{-j2\pi/(N/2)} = W_{N/2}. \quad (9.13)$$

Consequently, Eq. (9.12) can be rewritten as

$$\begin{aligned} X[k] &= \sum_{r=0}^{(N/2)-1} x[2r]W_{N/2}^{rk} + W_N^k \sum_{r=0}^{(N/2)-1} x[2r+1]W_{N/2}^{rk} \\ &= G[k] + W_N^k H[k]. \end{aligned} \quad (9.14)$$

Each of the sums in Eq. (9.14) is recognized as an $(N/2)$ -point DFT, the first sum being the $(N/2)$ -point DFT of the even-numbered points of the original sequence and the second being the $(N/2)$ -point DFT of the odd-numbered points of the original sequence. Although the index k ranges over N values, $k = 0, 1, \dots, N-1$, each of the sums must be computed only for k between 0 and $(N/2) - 1$, since $G[k]$ and $H[k]$ are each periodic in k with period $N/2$. After the two DFTs are computed, they are combined according to Eq. (9.14) to yield the N -point DFT $X[k]$. Figure 9.3 depicts this computation for $N = 8$. In this figure we have used the signal flow graph conventions that were introduced in Chapter 6 for representing difference equations. That is, branches entering a node are summed to produce the node variable. When no coefficient is indicated, the branch transmittance is assumed to be unity. For other branches, the transmittance of a branch is an integer power of W_N .

In Fig. 9.3 two 4-point DFTs are computed, with $G[k]$ designating the 4-point DFT of the even-numbered points and $H[k]$ designating the 4-point DFT of the odd-numbered points. $X[0]$ is then obtained by multiplying $H[0]$ by W_N^0 and adding the product to $G[0]$. $X[1]$ is obtained by multiplying $H[1]$ by W_N^1 and adding that result to $G[1]$. Equation (9.14) states that to compute $X[4]$ we should multiply $H[4]$ by W_N^4 and add the result of $G[4]$. However, since $G[k]$ and $H[k]$ are both periodic in k with period 4, $H[4] = H[0]$ and $G[4] = G[0]$. Thus $X[4]$ is obtained by multiplying $H[0]$ by W_N^4 and adding the result to $G[0]$. As shown in Fig. 9.3, the values $X[5]$, $X[6]$, and $X[7]$ are obtained similarly.

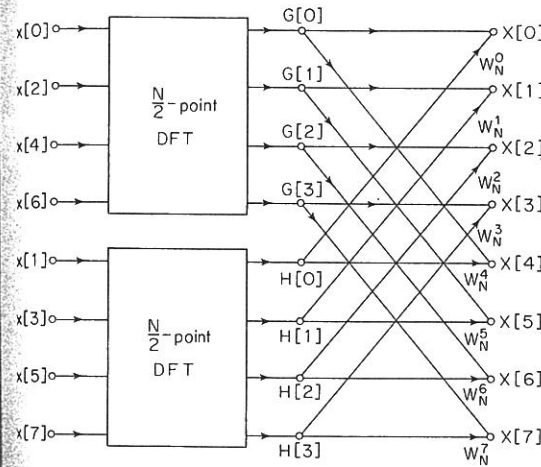


Figure 9.3 Flow graph of the decimation-in-time decomposition of an N -point DFT computation into two $(N/2)$ -point DFT computations ($N = 8$).

With the computation restructured according to Eq. (9.14), we can compare the number of multiplications and additions required with those required for a direct computation of the DFT. Previously we saw that for direct computation without exploiting symmetry, N^2 complex multiplications and additions were required.† By comparison, Eq. (9.14) requires the computation of two $(N/2)$ -point DFTs, which in turn requires $2(N/2)^2$ complex multiplications and approximately $2(N/2)^2$ complex additions if we do the $(N/2)$ -point DFTs by the direct method. Then the two $(N/2)$ -point DFTs must be combined, requiring N complex multiplications, corresponding to multiplying the second sum by W_N^k , and N complex additions, corresponding to adding that product to the first sum. Consequently, the computation of Eq. (9.14) for all values of k requires at most $N + 2(N/2)^2$ or $N + N^2/2$ complex multiplications and complex additions. It is easy to verify that for $N > 2$, the total $N + N^2/2$ will be less than N^2 .

Equation (9.14) corresponds to breaking the original N -point computation into two $(N/2)$ -point DFT computations. If $N/2$ is even, as it is when N is equal to a power of 2, then we can consider computing each of the $(N/2)$ -point DFTs in Eq. (9.14) by breaking each of the sums in Eq. (9.14) into two $(N/4)$ -point DFTs, which would then be combined to yield the $(N/2)$ -point DFTs. Thus, $G[k]$ in Eq. (9.14) would be represented as

$$G[k] = \sum_{r=0}^{(N/2)-1} g[r]W_{N/2}^{rk} = \sum_{\ell=0}^{(N/4)-1} g[2\ell]W_{N/2}^{2\ell k} + \sum_{\ell=0}^{(N/4)-1} g[2\ell+1]W_{N/2}^{(2\ell+1)k} \quad (9.15)$$

or

$$G[k] = \sum_{\ell=0}^{(N/4)-1} g[2\ell]W_{N/4}^{\ell k} + W_{N/2}^k \sum_{\ell=0}^{(N/4)-1} g[2\ell+1]W_{N/4}^{\ell k}. \quad (9.16)$$

† For simplicity we shall assume that N is large, so that $(N-1)$ can be approximated by N .

Similarly, $H[k]$ would be represented as

$$H[k] = \sum_{\ell=0}^{(N/4)-1} h[2\ell]W_{N/4}^{\ell k} + W_{N/2}^k \sum_{\ell=0}^{(N/4)-1} h[2\ell + 1]W_{N/4}^{\ell k}. \quad (9.17)$$

Consequently, the $(N/2)$ -point DFT $G[k]$ can be obtained by combining the $(N/4)$ -point DFTs of the sequences $g[2\ell]$ and $g[2\ell + 1]$. Similarly, the $(N/2)$ -point DFT $H[k]$ can be obtained by combining the $(N/4)$ -point DFTs of the sequences $h[2\ell]$ and $h[2\ell + 1]$. Thus, if the 4-point DFTs in Fig. 9.3 are computed according to Eqs. (9.16) and (9.17), then that computation would be carried out as indicated in Fig. 9.4. Inserting the computation of Fig. 9.4 into the flow graph of Fig. 9.3, we obtain the complete flow graph of Fig. 9.5, where we have expressed the coefficients in terms of powers of W_N rather than powers of $W_{N/2}$, using the fact that $W_{N/2} = W_N^2$.

For the 8-point DFT that we have been using as an illustration, the computation has been reduced to a computation of 2-point DFTs. The 2-point DFT of, for example, $x[0]$ and $x[4]$ is depicted in Fig. 9.6. With the computation of Fig. 9.6 inserted in the flow graph of Fig. 9.5, we obtain the complete flow graph for computation of the 8-point DFT, as shown in Fig. 9.7.

For the more general case, but with N still a power of 2, we would proceed by decomposing the $(N/4)$ -point transforms in Eq. (9.16) and (9.17) into $(N/8)$ -point transforms and continue until left with only 2-point transforms. This requires ν stages of computation, where $\nu = \log_2 N$. Previously we found that in the original decomposition of an N -point transform into two $(N/2)$ -point transforms, the number of complex multiplications and additions required was $N + 2(N/2)^2$. When the $(N/2)$ -point transforms are decomposed into $(N/4)$ -point transforms, then the factor of $(N/2)^2$ is replaced by $N/2 + 2(N/4)^2$, so the overall computation then requires $N + N + 4(N/4)^2$ complex multiplications and additions. If $N = 2^v$, this can be done at most $\nu = \log_2 N$ times, so that after carrying out this decomposition as many times as possible, the number of complex multiplications and additions is equal to $N \log_2 N$.

The flow graph of Fig. 9.7 displays the operations explicitly. By counting branches with transmittances of the form W_N^r , we note that each stage has N complex multiplications and N complex additions. Since there are $\log_2 N$ stages, we have a total of $N \log_2 N$ complex multiplications and additions. This is the substantial computational savings that we have previously indicated was possible. For example, if $N = 2^{10} = 1024$, then $N^2 = 2^{20} = 1,048,576$, and $N \log_2 N = 10,240$, a reduction of more than 2 orders of magnitude!

The computation in the flow graph of Fig. 9.7 can be reduced further by exploiting the symmetry and periodicity of the coefficients W_N^r . We first note that in

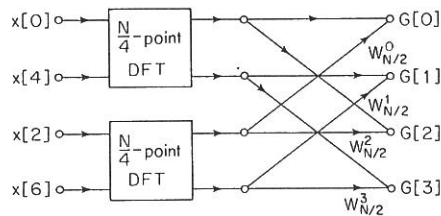


Figure 9.4 Flow graph of the decimation-in-time decomposition of an $(N/2)$ -point DFT computation into two $(N/4)$ -point DFT computations ($N = 8$).

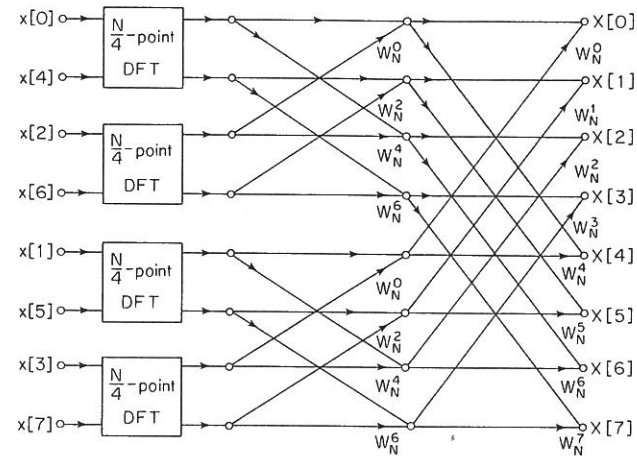


Figure 9.5 Result of substituting Fig. 9.4 into Fig. 9.3.

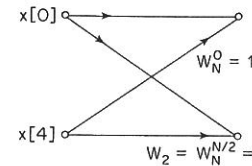


Figure 9.6 Flow graph of a 2-point DFT.

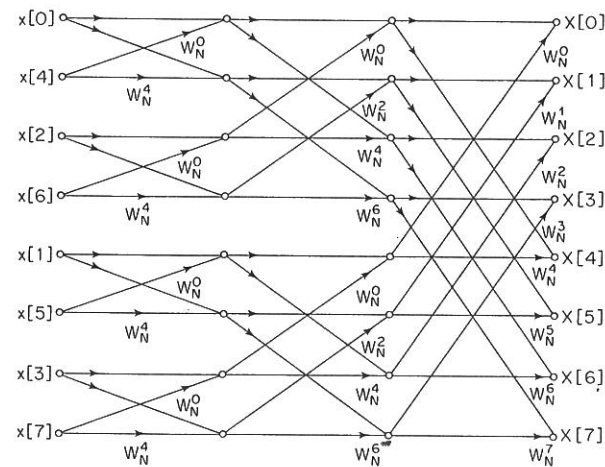


Figure 9.7 Flow graph of complete decimation-in-time decomposition of an 8-point DFT computation.

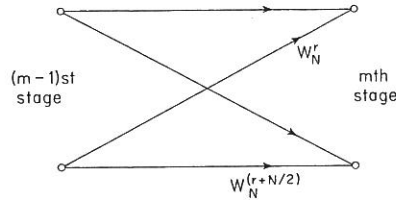


Figure 9.8 Flow graph of basic butterfly computation in Fig. 9.7.

proceeding from one stage to the next in Fig. 9.7, the basic computation is in the form of Fig. 9.8, i.e., it involves obtaining a pair of values in one stage from a pair of values in the preceding stage, where the coefficients are always powers of W_N and the exponents are separated by $N/2$. Because of the shape of the flow graph, this elementary computation is called a *butterfly*. Since

$$W_N^{N/2} = e^{-j(2\pi/N)N/2} = e^{-j\pi} = -1, \quad (9.18)$$

the factor $W_N^{r+N/2}$ can be written as

$$W_N^{r+N/2} = W_N^{N/2} W_N^r = -W_N^r. \quad (9.19)$$

With this observation, the butterfly computation of Fig. 9.8 can be simplified to the form shown in Fig. 9.9, which requires only one complex multiplication instead of two. Using the basic flow graph of Fig. 9.9 as a replacement for butterflies of the form of Fig. 9.8, we obtain from Fig. 9.7 the flow graph of Fig. 9.10. In particular, the number of complex multiplications has been reduced by a factor of 2 over the number in Fig. 9.7.

9.3.1 In-Place Computations

The flow graph of Fig. 9.10 describes an algorithm for the computation of the discrete Fourier transform. Particularly important in the flow graph of Fig. 9.10 are the branches connecting the nodes and the transmittance of each of these branches. No matter how the nodes in the flow graph are rearranged, it will always represent the same computation provided that the connections between the nodes and the transmittances of the connections are maintained. The particular form for the flow graph in Fig. 9.10 arose out of deriving the algorithm by separating the original sequence into the even-numbered and odd-numbered points and then continuing to create smaller and smaller subsequences in the same way. An interesting by-product of this derivation is that this flow graph, in addition to describing an efficient procedure for computing the discrete Fourier transform, also suggests a useful way of

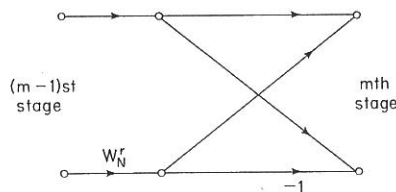


Figure 9.9 Flow graph of simplified butterfly computation requiring only one complex multiplication.

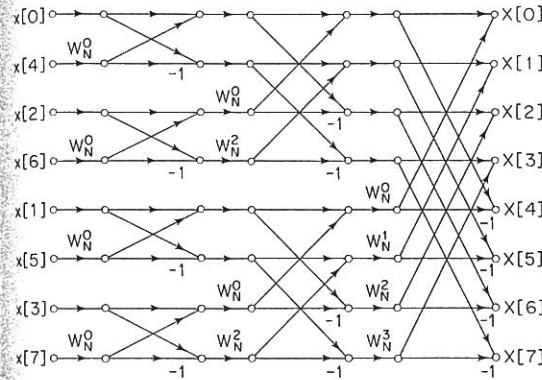


Figure 9.10 Flow graph of 8-point DFT using the butterfly computation of Fig. 9.9.

storing the original data and storing the results of the computation in intermediate arrays.

To see this, it is useful to note that according to Fig. 9.10, each stage of the computation takes a set of N complex numbers and transforms them into another set of N complex numbers through basic butterfly computations of the form of Fig. 9.9. This process is repeated $v = \log_2 N$ times, resulting in the computation of the desired discrete Fourier transform. When implementing the computations depicted in Fig. 9.10 we can imagine the use of two arrays of (complex) storage registers, one for the array being computed and one for the data being used in the computation. For example, in computing the first array in Fig. 9.10, one set of storage registers would contain the input data and the second set would contain the computed results for the first stage. While the validity of Fig. 9.10 is not tied to the order in which the input data are stored, we can order the set of complex numbers in the same order that they appear in Fig. 9.10 (from top to bottom). We denote the sequence of complex numbers resulting from the m th stage of computation as $X_m[\ell]$, where $\ell = 0, 1, \dots, N - 1$, and $m = 1, 2, \dots, v$. Furthermore, for convenience, we define the set of input samples as $X_0[\ell]$. We can think of $X_{m-1}[\ell]$ as the input array and $X_m[\ell]$ as the output array for the m th stage of computations. Thus for the case of $N = 8$ as in Fig. 9.10,

$$\begin{aligned} X_0[0] &= x[0] \\ X_0[1] &= x[4] \\ X_0[2] &= x[2] \\ X_0[3] &= x[6] \\ X_0[4] &= x[1] \\ X_0[5] &= x[5] \\ X_0[6] &= x[3] \\ X_0[7] &= x[7] \end{aligned} \quad (9.20)$$

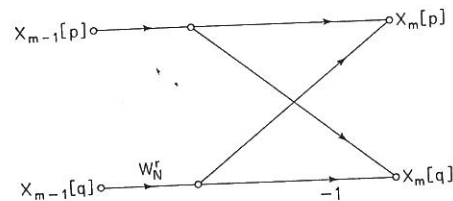


Figure 9.11 Flow graph of Eqs. (9.21).

Using this notation, we can label the input and output of the butterfly computation in Fig. 9.9 as indicated in Fig. 9.11, with the associated equations

$$X_m[p] = X_{m-1}[p] + W_N^r X_{m-1}[q], \quad (9.21a)$$

$$X_m[q] = X_{m-1}[p] - W_N^r X_{m-1}[q]. \quad (9.21b)$$

In Eqs. (9.21), p , q , and r vary from stage to stage in a manner that is readily inferred from Fig. 9.10 and from Eqs. (9.11), (9.14), (9.16), etc. It is clear from Figs. 9.10 and 9.11 that only the complex numbers in locations p and q of the $(m-1)$ st array are required to compute the elements p and q of the m th array. Thus, only one complex array of N storage registers is physically necessary to implement the complete computation if $X_m[p]$ and $X_m[q]$ are stored in the same storage registers as $X_{m-1}[p]$ and $X_{m-1}[q]$, respectively. This kind of computation is commonly referred to as an *in-place* computation. The fact that the flow graph of Fig. 9.10 (or Fig. 9.7) represents an in-place computation is tied to the fact that we have associated nodes in the flow graph that are on the same horizontal line with the same storage location and the fact that the computation between two arrays consists of a butterfly computation in which the input nodes and the output nodes are horizontally adjacent.

In order that the computation may be done in place as discussed above, the input sequence must be stored (or at least accessed) in a nonsequential order, as shown in the flow graph of Fig. 9.10. In fact, the order in which the input data are stored and accessed is referred to as *bit-reversed* order. To see what is meant by this terminology, we note that for the 8-point flow graph that we have been discussing, three binary digits are required to index through the data. Writing the indices in Eq. (9.20) in binary form, we obtain the following set of equations:

$$\begin{aligned} X_0[000] &= x[000] \\ X_0[001] &= x[100] \\ X_0[010] &= x[010] \\ X_0[011] &= x[110] \\ X_0[100] &= x[001] \\ X_0[101] &= x[101] \\ X_0[110] &= x[011] \\ X_0[111] &= x[111]. \end{aligned} \quad (9.22)$$

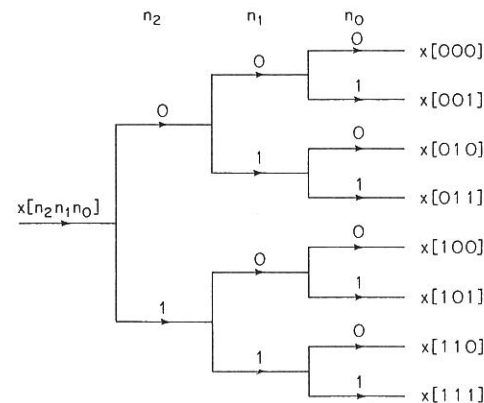


Figure 9.12 Tree diagram depicting normal-order sorting.

If (n_2, n_1, n_0) is the binary representation of the index of the sequence $x[n]$, then the sequence value $x[n_2, n_1, n_0]$ is stored in the array position $X_0[n_0, n_1, n_2]$. That is, in determining the position of $x[n_2, n_1, n_0]$ in the input array, we must reverse the order of the bits of the index n .

Let us first consider the process depicted in Fig. 9.12 for sorting a data sequence in normal order by successive examination of the bits representing the data index. If the most significant bit of the data index is zero, $x[n]$ belongs in the top half of the sorted array; otherwise it belongs in the bottom half. Next, the top half and bottom half subsequences can be sorted by examining the second most significant bit, and so on.

To see why bit-reversed order is necessary for in-place computation, recall the process that resulted in Fig. 9.7 and Fig. 9.10. The sequence $x[n]$ was first divided into the even-numbered samples, with the even-numbered samples occurring in the top half of Fig. 9.3 and the odd-numbered samples occurring in the bottom half. Such a separation of the data can be carried out by examining the least significant bit $[n_0]$ in the index n . If the least significant bit is 0, the sequence value corresponds to an even-numbered sample and therefore will appear in the top half, and if the least significant bit is 1, the sequence value corresponds to an odd-numbered sample and consequently will appear in the bottom half of the array $X_0[\ell]$. Next the even- and odd-indexed subsequences are sorted into their even- and odd-indexed parts, and this can be done by examining the second least significant bit in the index. Considering first the even-indexed subsequence, if the second least significant bit is 0, the sequence value is an even-numbered term in the subsequence, and if the second least significant bit is 1, then the sequence value has an odd-numbered index in this subsequence. The same process is carried out for the subsequence formed from the original odd-indexed sequence values. This process is repeated until N subsequences of length 1 are obtained. This sorting into even- and odd-indexed subsequences is depicted by the tree diagram of Fig. 9.13.

The tree diagrams of Figs. 9.12 and 9.13 are identical except that for normal sorting we examine the bits representing the index from left to right whereas for the

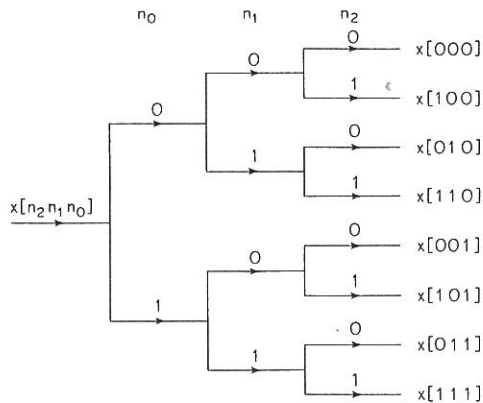


Figure 9.13 Tree diagram depicting bit-reversed sorting.

sorting leading naturally to Figs. 9.7 or 9.10, we examine the bits in reverse order, right to left, resulting in bit-reversed sorting. Thus, the necessity for bit-reversed ordering of the sequence $x[n]$ results from the manner in which the DFT computation is decomposed into successively smaller DFT computations in arriving at Figs. 9.7 and 9.10.

9.3.2 Alternative Forms

Although it is reasonable to store the results of each stage of the computation in the order in which the nodes appear in Fig. 9.10, it is certainly not necessary to do so. No matter how the nodes of Fig. 9.10 are rearranged, the result will always be a valid computation of the discrete Fourier transform of $x[n]$ as long as the branch transmittances are unchanged. Only the order in which data are accessed and stored will change. If we associate the nodes with indexing of an array of complex storage locations, it is clear from our previous discussion that a flow graph corresponding to an in-place computation results only if the rearrangement of nodes is such that the input and output nodes for each butterfly computation are horizontally adjacent. Otherwise two complex storage arrays will be required. Figure 9.10, is, of course, such an arrangement. Another is depicted in Fig. 9.14. In this case the input sequence is in normal order and the sequence of DFT values is in bit-reversed order. Figure 9.14 can be obtained from Fig. 9.10 as follows: All the nodes that are horizontally adjacent to $x[4]$ in Fig. 9.10 are interchanged with all the nodes horizontally adjacent to $x[1]$. Similarly, all the nodes that are horizontally adjacent to $x[6]$ in Fig. 9.10 are interchanged with those that are horizontally adjacent to $x[3]$. The nodes horizontally adjacent to $x[0]$, $x[2]$, $x[5]$, and $x[7]$ are not disturbed. The resulting flow graph in Fig. 9.14 corresponds to the form of the decimation-in-time algorithm originally given by Cooley and Tukey (1965).

The only difference between Figs. 9.10 and 9.14 is in the ordering of the nodes. The branch transmittances (powers of W_N) remain the same. There are, of

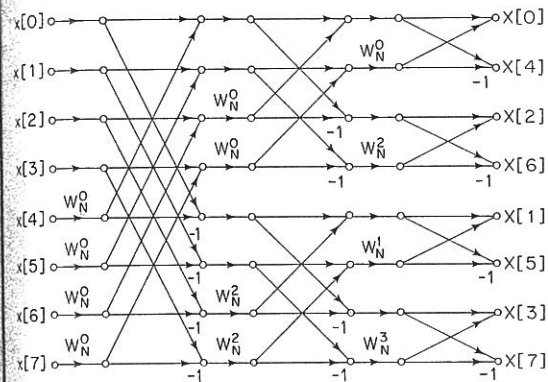


Figure 9.14 Rearrangement of Fig. 9.10 with input in normal order and output in bit-reversed order.

course, a large variety of possible orderings. However, most do not make much sense from a computational viewpoint. As one example, suppose that the nodes are ordered such that the input and output both appear in normal order. A flow graph of this type is shown in Fig. 9.15. In this case, however, the computation cannot be carried out in place because the butterfly structure does not continue past the first stage. Thus, two complex arrays of length N would be required to perform the computation depicted in Fig. 9.15.

In realizing the computations depicted by Figs. 9.10, 9.14, and 9.15, it is clearly necessary to access elements of intermediate arrays in nonsequential order. Thus, for greater computational speed, the complex numbers must be stored in random access memory. For example, in the computation of the first array in Fig. 9.10 from the input array, the inputs to each butterfly computation are adjacent node variables and are thought of as being stored in adjacent storage locations. In the computation of the second intermediate array from the first, the inputs to a butterfly are separated by two

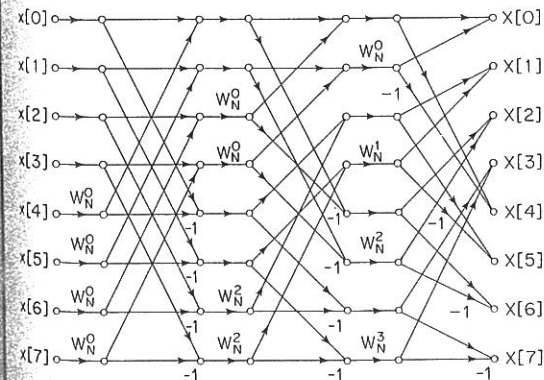


Figure 9.15 Rearrangement of Fig. 9.10 with both input and output in normal order.

storage locations; and in the computation of the third array from the second, the inputs to a butterfly computation are separated by four storage locations. If $N > 8$, the separation between butterfly inputs is 8 for the fourth stage, 16 for the fifth stage, and so on. The separation in the last (v)th stage is $N/2$.

In Fig. 9.14 the situation is similar in that to compute the first array from the input data we use data separated by 4, to compute the second array from the first array we use input data separated by 2, and then finally in computing the last array we use adjacent data. Although it is straightforward to imagine simple algorithms for modifying index registers to access the data in either the flow graph of Fig. 9.10 or Fig. 9.14, the data are not accessed sequentially, so random access memory would be very desirable. In the flow graph of Fig. 9.15, the data are accessed nonsequentially, the computation is not in place, and a scheme for indexing the data is considerably more complicated than in either of the two previous cases. Consequently, this structure has no apparent advantages.

Some forms have advantages even if in-place computation is not possible. A rearrangement of the flow graph in Fig. 9.10 that is particularly useful when random access memory is not available is shown in Fig. 9.16. This flow graph represents the decimation-in-time algorithm originally given by Singleton (1969). (See DSP Committee, 1979, for a program using serial memory.) Note first that in this flow graph the input is in bit-reversed order and the output is in normal order. The important feature of this flow graph is that the geometry is identical for each stage; only the branch transmittances change from stage to stage. This makes it possible to access data sequentially. Suppose that we have four separate disk files (or four sequentially addressed memories such as magnetic tape units), and suppose that the first half of the input sequence (in bit-reversed order) is stored in one file and the second half is stored in a second file. Then the sequence can be accessed sequentially in files 1 and 2 and the results written sequentially on files 3 and 4, with the first half of the new array being written to file 3 and the second half to file 4. Then at the next stage of computation, files 3 and 4 are the input, and the output is written to files 1 and 2. This is repeated for each of the v stages. Such an algorithm could be useful in computing the DFT of very long sequences.

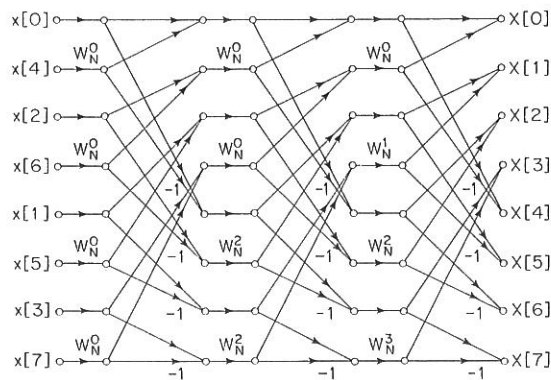


Figure 9.16 Rearrangement of Fig. 9.10 having the same geometry for each stage, thereby permitting sequential data accessing and storage.

9.4 DECIMATION-IN-FREQUENCY FFT ALGORITHMS

The decimation-in-time FFT algorithms were all based on the decomposition of the DFT computation by forming smaller and smaller subsequences of the input sequence $x[n]$. Alternatively we can consider dividing the output sequence $X[k]$ into smaller and smaller subsequences in the same manner. FFT algorithms based on this procedure are commonly called *decimation-in-frequency* algorithms.

To develop these FFT algorithms, let us again restrict the discussion to N a power of 2 and consider computing separately the even-numbered frequency samples and the odd-numbered frequency samples. Since $X[k]$ is

$$X[k] = \sum_{n=0}^{N-1} x[n] W_N^{nk}, \quad k = 0, 1, \dots, N-1, \quad (9.23)$$

the even-numbered frequency samples are

$$X[2r] = \sum_{n=0}^{N-1} x[n] W_N^{n(2r)}, \quad r = 0, 1, \dots, (N/2) - 1, \quad (9.24)$$

which can be expressed as

$$X[2r] = \sum_{n=0}^{(N/2)-1} x[n] W_N^{2nr} + \sum_{n=N/2}^{N-1} x[n] W_N^{2nr}. \quad (9.25)$$

With a substitution of variables in the second summation in Eq. (9.25), we obtain

$$X[2r] = \sum_{n=0}^{(N/2)-1} x[n] W_N^{2nr} + \sum_{n=0}^{(N/2)-1} x[n + (N/2)] W_N^{2r(n+(N/2))}. \quad (9.26)$$

Finally, because of the periodicity of W_N^{2rn} ,

$$W_N^{2r(n+(N/2))} = W_N^{2rn} W_N^{rN} = W_N^{2rn} \quad (9.27)$$

and since $W_N^2 = W_{N/2}$, Eq. (9.26) can be expressed as

$$X[2r] = \sum_{n=0}^{(N/2)-1} (x[n] + x[n + (N/2)]) W_{N/2}^{rn}, \quad r = 0, 1, \dots, (N/2) - 1. \quad (9.28)$$

Equation (9.28) is the $(N/2)$ -point DFT of the $(N/2)$ -point sequence obtained by adding the first half and the last half of the input sequence. Adding the two halves of the input sequence represents time aliasing, consistent with the fact that in computing only the even-numbered frequency samples, we are undersampling the Fourier transform of $x[n]$.

We can now consider obtaining the odd-numbered frequency points, given by

$$X[2r+1] = \sum_{n=0}^{N-1} x[n] W_N^{n(2r+1)}, \quad r = 0, 1, \dots, (N/2) - 1. \quad (9.29)$$